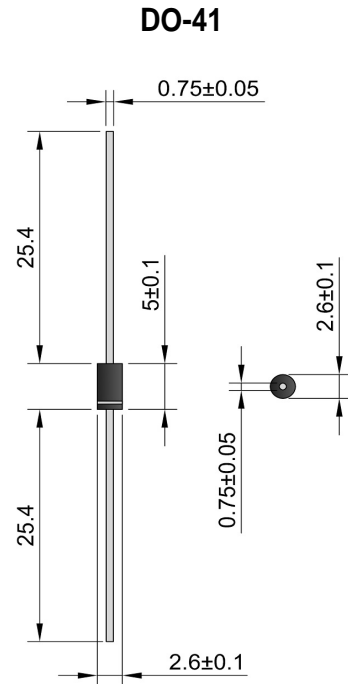


Features

- Glass Passivated Die Construction
- 1.5W Power Dissipation
- 3.3V – 200V Nominal Zener Voltage
- 5% Standard Vz Tolerance
- Low Inductance
- For Use in Voltage Regulator or Reference
- Plastic Case Material has UL Flammability Classification Rating 94V-0

Mechanical Data

- Case: DO-41, Molded Plastic
- Terminals: Plated Leads Solderable per MIL-STD-202, Method 208
- Polarity: Cathode Band
- Weight: 0.35 grams (approx.)
- Mounting Position: Any
- Marking: Type Number
- **Lead Free: For RoHS / Lead Free Version**

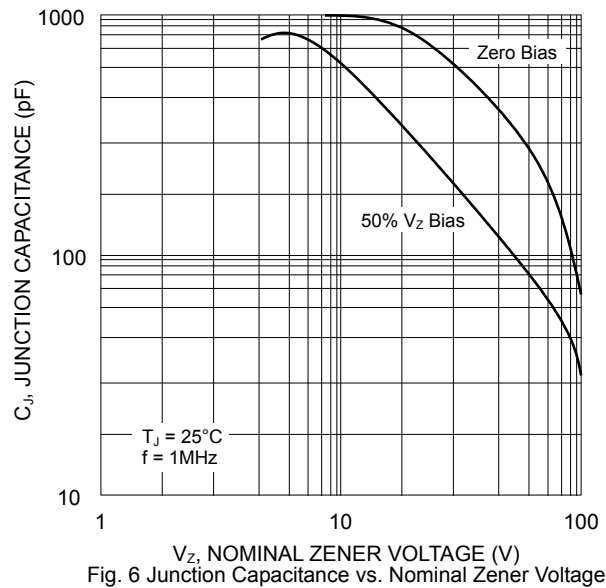
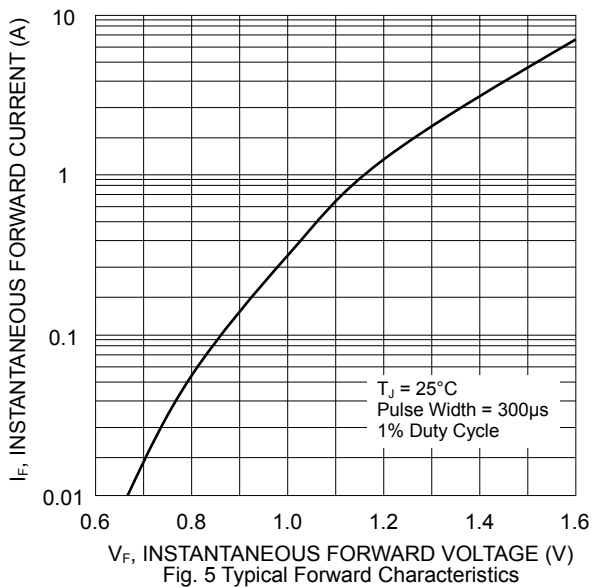
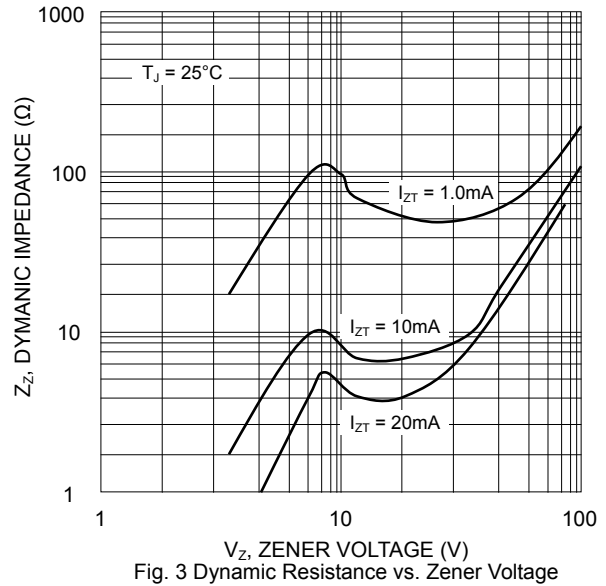
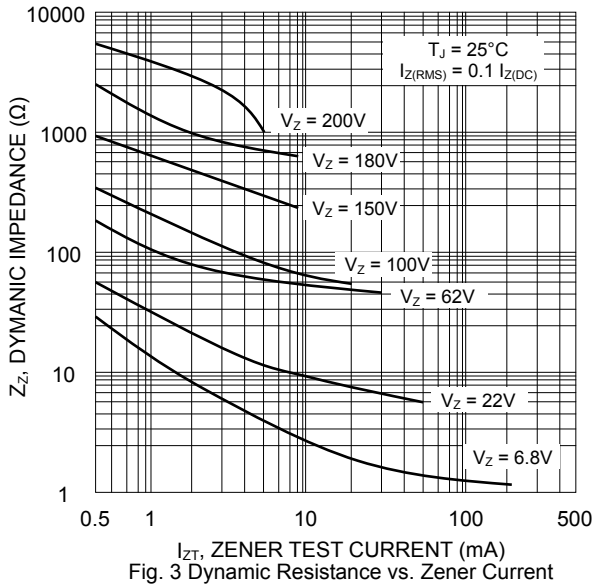
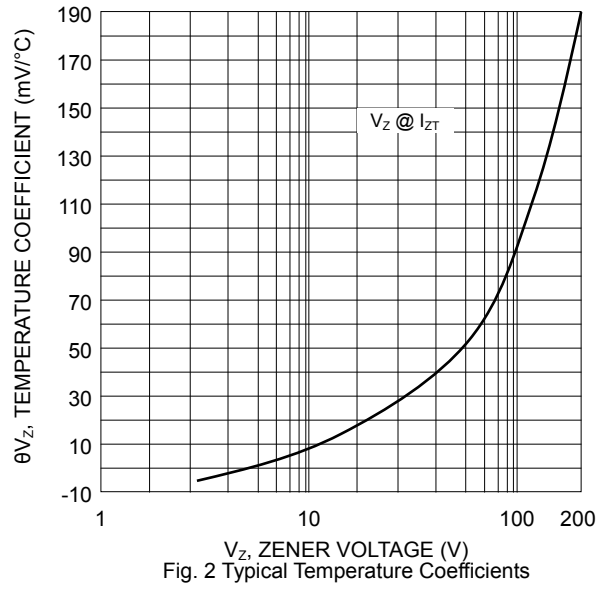
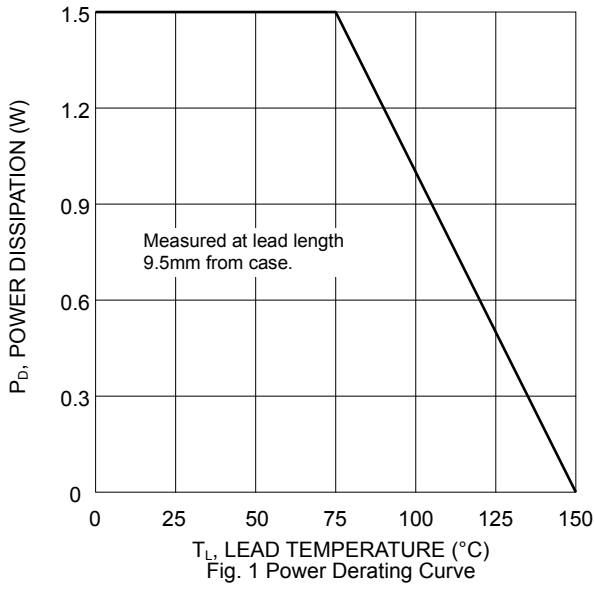


Maximum Ratings @ $T_A=25^\circ\text{C}$ unless otherwise specified

Characteristic	Symbol	Value	Unit
Power Dissipation at $T_L = 75^\circ\text{C}$ (Note 1) Derate above 75°C	P_D	1.5 12	W $\text{mW}/^\circ\text{C}$
Forward Voltage @ $I_F = 200\text{mA}$	V_F	1.5	V
Thermal Resistance, Junction to Ambient (Note 2)	R_{JA}	60	$^\circ\text{C}/\text{W}$
Operating and Storage Temperature Range	T_J, T_{STG}	-65 to +150	$^\circ\text{C}$

Note: 1. Measured at lead length 3/8" (9.5mm) from body.

2. Valid provided that leads are kept at ambient temperature at a distance of 10mm from the case.



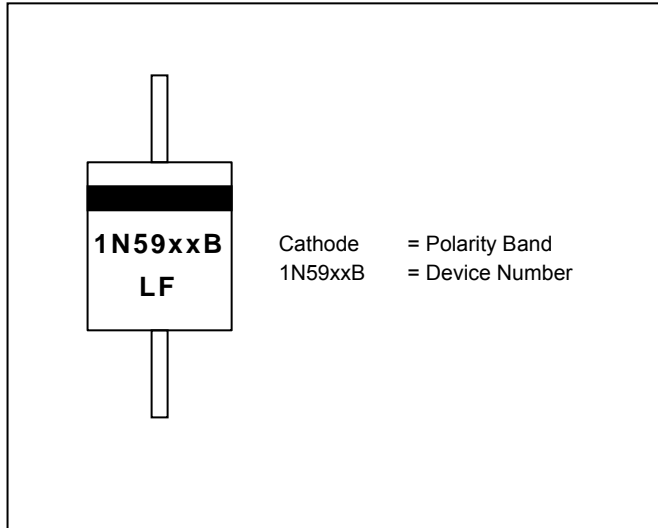


Electrical Characteristics (@T_A=25°C unless otherwise specified) Table 1

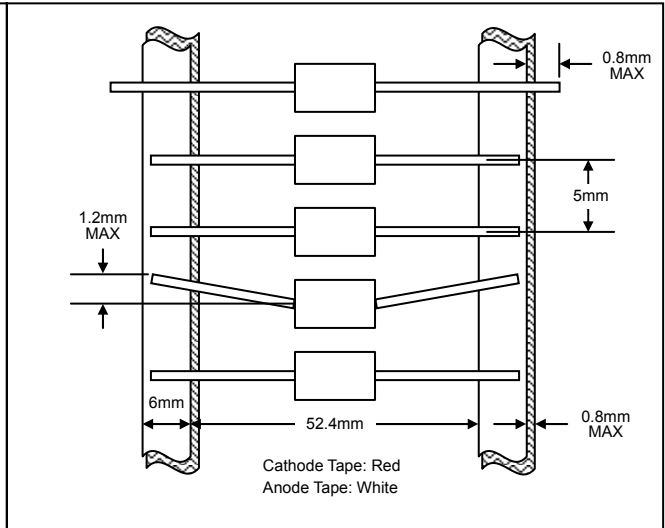
Type Number (Note 1)	Nominal Zener Voltage (Note 2)	Test Current	Maximum Zener Impedance (Note 3)			Maximum Leakage Current		Max DC Zener Current
	V _Z @ I _{ZT}	I _{ZT}	Z _{ZT} @ I _{ZT}	Z _{ZK} @ I _{ZK}	I _{ZK}	I _R @ V _R		I _{ZM}
	(V)	(mA)	()	()	(mA)	(μA)	(V)	(mA)
1N5913B	3.3	113.6	10.0	500	1.00	100	1.0	455
1N5914B	3.6	104.2	9.0	500	1.00	75	1.0	417
1N5915B	3.9	96.1	7.5	500	1.00	25	1.0	385
1N5916B	4.3	87.2	6.0	500	1.00	5.0	1.0	349
1N5917B	4.7	79.8	5.0	500	1.00	5.0	1.5	319
1N5918B	5.1	73.5	4.0	350	1.00	5.0	2.0	294
1N5919B	5.6	66.9	2.0	250	1.00	5.0	3.0	268
1N5920B	6.2	60.5	2.0	200	1.00	2.5	4.0	242
1N5921B	6.8	55.1	2.5	200	1.00	2.5	5.2	221
1N5922B	7.5	50.0	3.0	400	0.50	2.5	6.0	200
1N5923B	8.2	45.7	3.5	400	0.50	2.5	6.5	183
1N5924B	9.1	41.2	4.0	500	0.50	2.5	7.0	165
1N5925B	10	37.5	4.5	500	0.25	2.5	8.0	150
1N5926B	11	34.1	5.5	550	0.25	0.5	8.4	136
1N5927B	12	31.2	6.5	550	0.25	0.5	9.1	125
1N5928B	13	28.8	7.0	550	0.25	0.5	9.9	115
1N5929B	15	25.0	9.0	600	0.25	0.5	11.4	100
1N5930B	16	23.4	10.0	600	0.25	0.5	12.2	94
1N5931B	18	20.8	12.0	650	0.25	0.5	13.7	83
1N5932B	20	18.7	14.0	650	0.25	0.5	15.2	75
1N5933B	22	17.0	17.5	650	0.25	0.5	16.7	68
1N5934B	24	15.6	19.0	700	0.25	0.5	18.2	63
1N5935B	27	13.9	23.0	700	0.25	0.5	20.6	56
1N5936B	30	12.5	26.0	750	0.25	0.5	22.8	50
1N5937B	33	11.4	33.0	800	0.25	0.5	25.1	45
1N5938B	36	10.4	38.0	850	0.25	0.5	27.4	42
1N5939B	39	9.6	45.0	900	0.25	0.5	29.7	38
1N5940B	43	8.7	53.0	950	0.25	0.5	32.7	35
1N5941B	47	8.0	67.0	1000	0.25	0.5	35.8	32
1N5942B	51	7.3	70.0	1100	0.25	0.5	38.8	29
1N5943B	56	6.7	86.0	1300	0.25	0.5	42.6	27
1N5944B	62	6.0	100.0	1500	0.25	0.5	47.1	24
1N5945B	68	5.5	120.0	1700	0.25	0.5	51.7	22
1N5946B	75	5.0	140.0	2000	0.25	0.5	56.0	20
1N5947B	82	4.6	160.0	2500	0.25	0.5	62.2	18
1N5948B	91	4.1	200.0	3000	0.25	0.5	69.2	16
1N5949B	100	3.7	250.0	3100	0.25	0.5	76.0	15
1N5950B	110	3.4	300.0	4000	0.25	0.5	83.6	13
1N5951B	120	3.1	380.0	4500	0.25	0.5	91.2	12
1N5952B	130	2.9	450.0	5000	0.25	0.5	98.8	11
1N5953B	150	2.5	600.0	6000	0.25	0.5	114.0	10
1N5954B	160	2.3	700.0	6500	0.25	0.5	121.6	9.0
1N5955B	180	2.1	900.0	7000	0.25	0.5	136.8	8.0
1N5956B	200	1.9	1200.0	8000	0.25	0.5	152.0	7.0

- Note: 1. Type numbers listed have standard tolerance on the nominal zener voltage of ±5%.
 2. Measured under thermal equilibrium and DC (I_{ZT}) test conditions.
 3. The Zener impedance is derived from the 60Hz AC voltage which results when an AC current having an RMS value equal to 10% of the Zener current (I_{ZT} or I_{ZK}) is superimposed on I_{ZT} or I_{ZK}. Zener impedance is measured at two points to insure a sharp knee on the breakdown curve and to eliminate unstable units.

MARKING INFORMATION

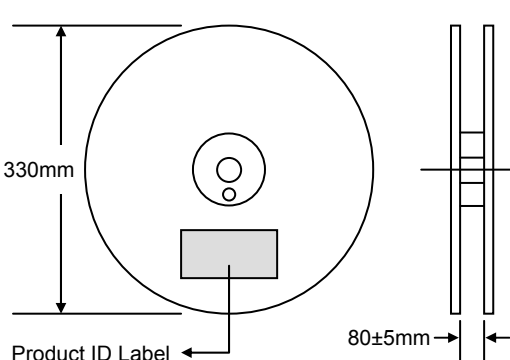


TAPING SPECIFICATIONS



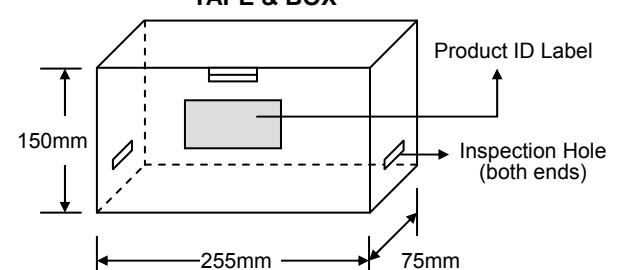
PACKAGING INFORMATION

TAPE & REEL



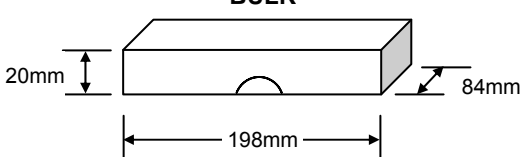
330mm
Product ID Label
80±5mm

TAPE & BOX



Product ID Label
Inspection Hole (both ends)
150mm
255mm
75mm

BULK



20mm
198mm
84mm

Packaging	Reel Diameter / Box Size (mm)	Quantity (PCS)	Carton Size (mm)	Quantity (PCS)	Approx. Gross Weight (KG)
TAPE & REEL	330	5,000	370 x 370 x 420	25,000	13.0
TAPE & BOX	255 x 75 x 150	5,000	400 x 273 x 415	50,000	21.0
BULK	198 x 84 x 20	1,000	459 x 214 x 256	50,000	19.5

Note: 1. Paper reel, white or gray color. Core material: plastic or metal.
2. Components are packed in accordance with EIA standard RS-296-E.